

## TGL Series Low Speed Sound-proof Granulators

As low speed sound-proof granulators are non-mesh slow speed plastic recycling units with 25~30rpm which specially designed with teeth cutters for crushing various defective products made of rigid plastics and brittle plastics such as PC, nylon, ABS and so on. All these models are characterized with low speed & high torque, harden blades , low noise, less powder pollution, easy operation, granulating in even, no-overheating in operation and long service life.



### Feature:

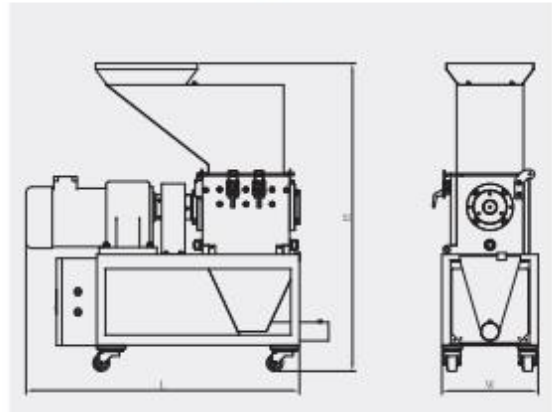
We reserve right to change specifications without prior notice.

- ◆ Non - mesh screen design ,well-proportioned granules and less powder pollution.
- ◆ Optimized structure of machine with small footprint which is especially suitable for the limited space of workshop to use.
- ◆ Both rotor blades and fixed blades are made of SKD-11(option) with long service life , which is made from harden material.
- ◆ 30 sec instant recycling system to keep regrind material free from color changing by oxidation or damping .
- ◆ Low speed at 25~30 rpm, power saving , less noise.
- ◆ This unit is driven by shaft gear-motor, no need oil.
- ◆ This series is suitable for granulating rigid & brittle resins-PC, PBT, ABS, Nylon etc.

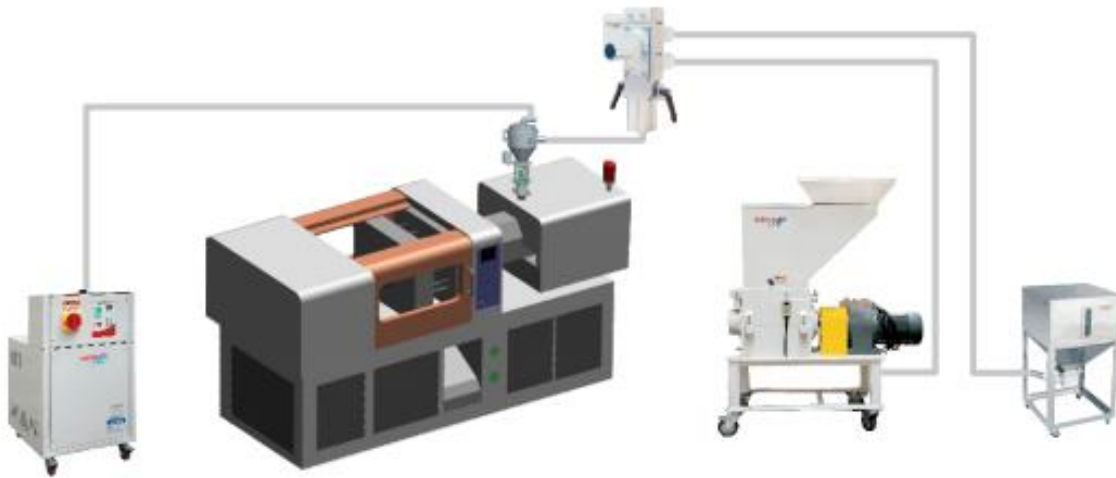
Blown Material Type Recovery System Flowchart



Product Structure Diagram



The Data of The Proportion of The New Recovery System Flow Chart



## Specification Sheet

We reserve right to change specifications without prior notice.

| Model                       | TGL-2316SB          | TGL-2316SS  | TGL-2325SB            | TGL-2325SS  | TGL-2334SB             | TGL-2334SS  |
|-----------------------------|---------------------|-------------|-----------------------|-------------|------------------------|-------------|
| Crushing Chamber(in)        | 9.1x6.5             |             | 9.1x10                |             | 9.1x13.6               |             |
| Crushing Ability(lbs/h)     | 33~55               |             | 44~77                 |             | 77~110                 |             |
| Revolutions(r/min)          | 29~35               |             | 29~35                 |             | 29~35                  |             |
| Cutter Type                 | Claw+Rotary         |             | Claw+Rotary           |             | Claw+Rotary            |             |
| Rotating Blades             | One Claw+Two Rotary |             | Two Claw+Three Rotary |             | Three Claw+Four Rotary |             |
| Fixed Blades                | 4                   |             | 6                     |             | 8                      |             |
| Motor Power(HP)             | 1                   |             | 2                     |             | 3                      |             |
| Total Power(KW)             | 0.75                | 0.75        | 1.5                   | 1.5         | 2.2                    | 2.2         |
| Wries Specifications(sq.in) | 4x0.008             |             |                       |             |                        |             |
| Wires Length(ft)            | 19.8                |             |                       |             |                        |             |
| Noise Level(db)             | 50                  |             |                       |             |                        |             |
| Crushing Recycle Type       | Box                 | Suction     | Box                   | Suction     | Box                    | Suction     |
| Dimensions LxHxW(ft)        | 2.9*3.3*1.0         | 3.0*3.3*1.0 | 3.6*3.5*1.0           | 3.6*3.5*1.0 | 4.2*3.9*1.2            | 4.1*3.9*1.2 |
| Weight(lbs)                 | 308                 |             | 440                   |             | 572                    |             |

### New design model:

| Model                       | TGL-2526SB  | TGL-2526SS  | TGL-3232SB  | TGL-3232SS  | TGL-3243SB  | TGL-3243SS  |
|-----------------------------|-------------|-------------|-------------|-------------|-------------|-------------|
| Crushing Chamber(in)        | 9.8x11.8    |             | 12.6x12.6   |             | 12.6x16.9   |             |
| Crushing Ability(lbs/h)     | 33~55       |             | 44~77       |             | 77~110      |             |
| Revolutions(r/min)          | 29~35       |             | 29~35       |             | 29~35       |             |
| Cutter Type                 | Claw+Rotary |             | Claw+Rotary |             | Claw+Rotary |             |
| Fixed Blades(pineapple )    | 3           |             | 3           |             | 3           |             |
| Rotary blades(S)            | 2           |             | 2           |             | 2           |             |
| Slide blade                 | 6           |             | 6           |             | 6           |             |
| Motor Power(HP)             | 1           |             | 2           |             | 3           |             |
| Total Power(KW)             | 1.1         | 1.1         | 1.5         | 1.5         | 2.2         | 2.2         |
| Wries Specifications(sq.in) | 4x0.008     |             |             |             |             |             |
| Wires Length(ft)            | 19.8        |             |             |             |             |             |
| Noise Level(db)             | below 85    |             |             |             |             |             |
| Crushing Recycle Type       | Box         | Suction     | Box         | Suction     | Box         | Suction     |
| Dimensions LxHxW(ft)        | 2.9*1.4*3.7 | 2.9*1.4*3.7 | 2.9*1.4*3.7 | 2.9*1.4*3.7 | 2.9*1.4*3.7 | 2.9*1.4*3.7 |
| Weight(lbs)                 | 308         |             | 440         |             | 572         |             |